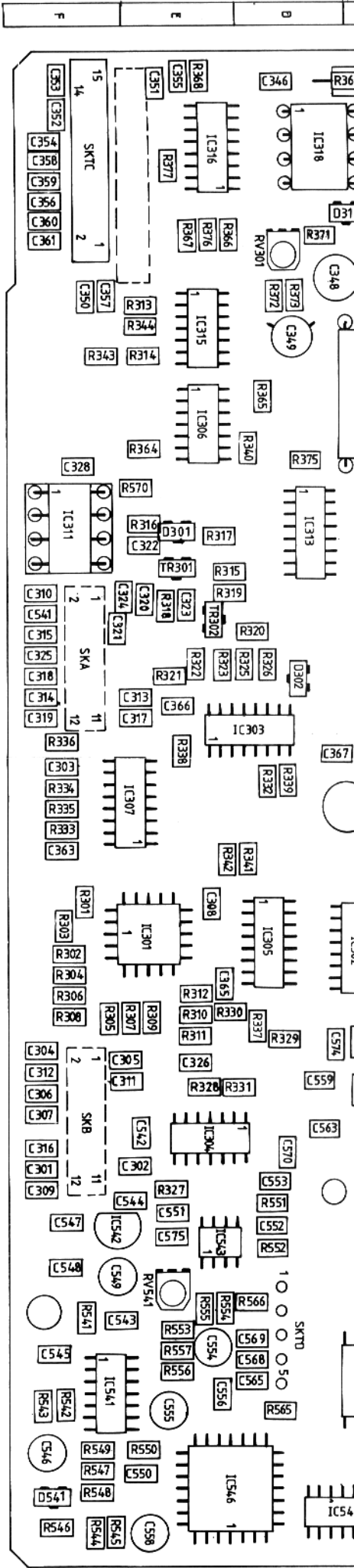
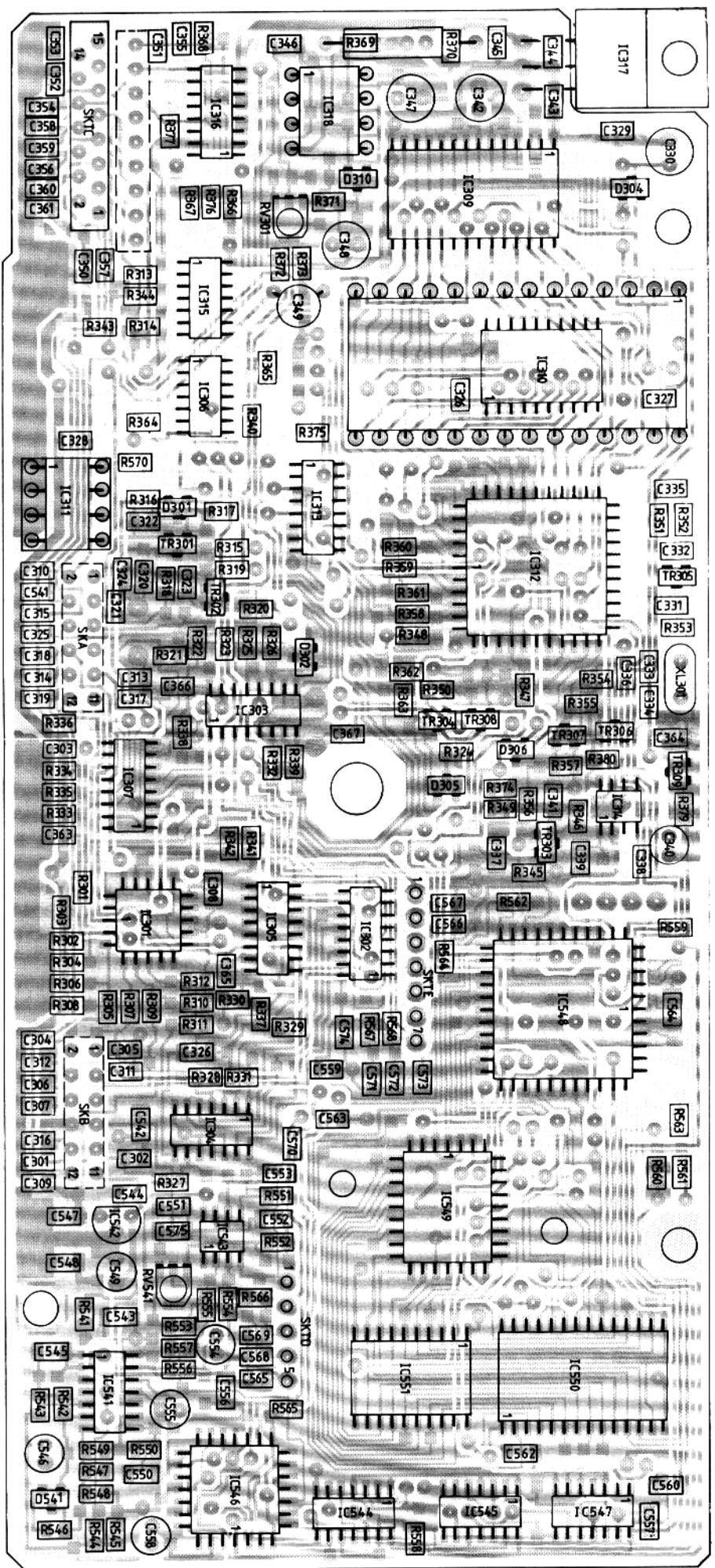


1	2	3	4	5	6	7	8	9	10	11	12	13
---	---	---	---	---	---	---	---	---	----	----	----	----

FIG. 6.1 CONTROL/DIGITAL SIGNALLING PWB  
COMPONENT LOCATION DIAGRAM

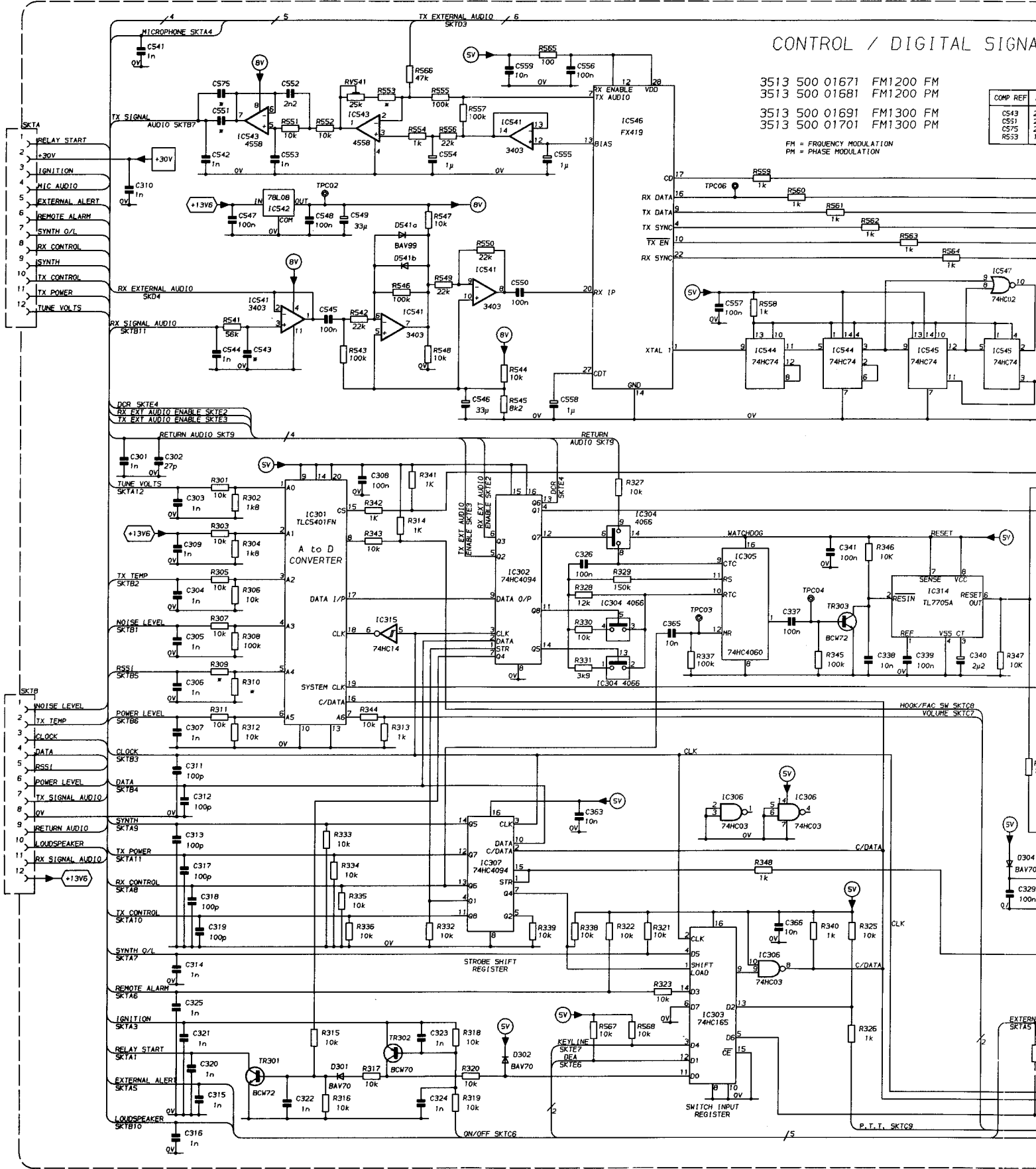


CONTROL / DIGITAL SIGNAL

3513 500 01671 FM1200 FM  
3513 500 01681 FM1200 PM  
3513 500 01691 FM1300 FM  
3513 500 01701 FM1300 PM

FM = FREQUENCY MODULATION  
PM = PHASE MODULATION

COMP REF	VALUE
C543	100n
C551	100n
C575	100n
R553	100k



# CONTROL / DIGITAL SIGNALLING ASSEMBLY

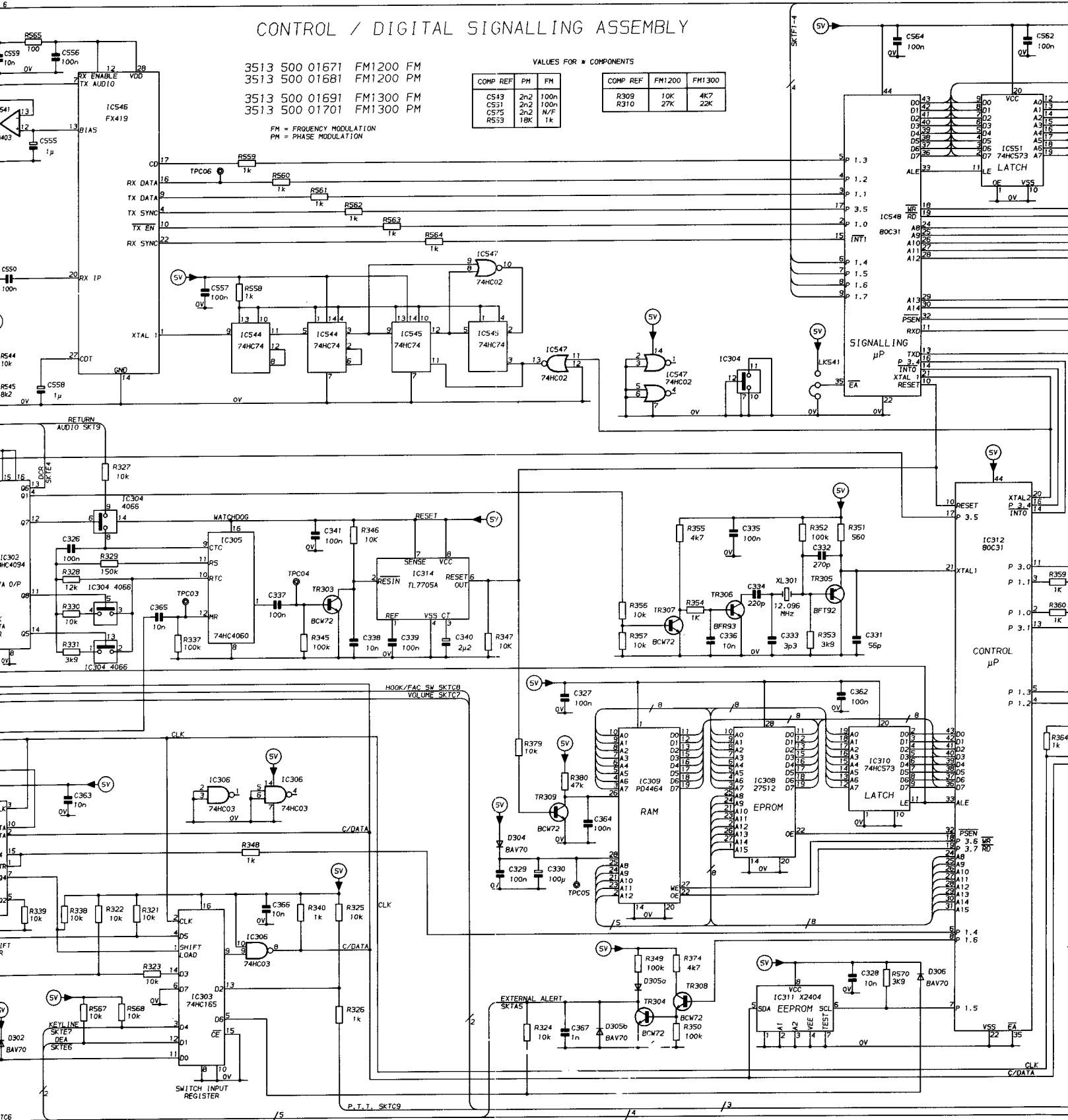
3513 500 01671 FM1200 FM  
 3513 500 01681 FM1200 PM  
 3513 500 01691 FM1300 FM  
 3513 500 01701 FM1300 PM

FM = FREQUENCY MODULATION  
 PM = PHASE MODULATION

VALUES FOR \* COMPONENTS

COMP REF	PM	FM
C543	2n2	100n
C531	2n2	100n
C575	2n2	N/F
R553	18K	1K

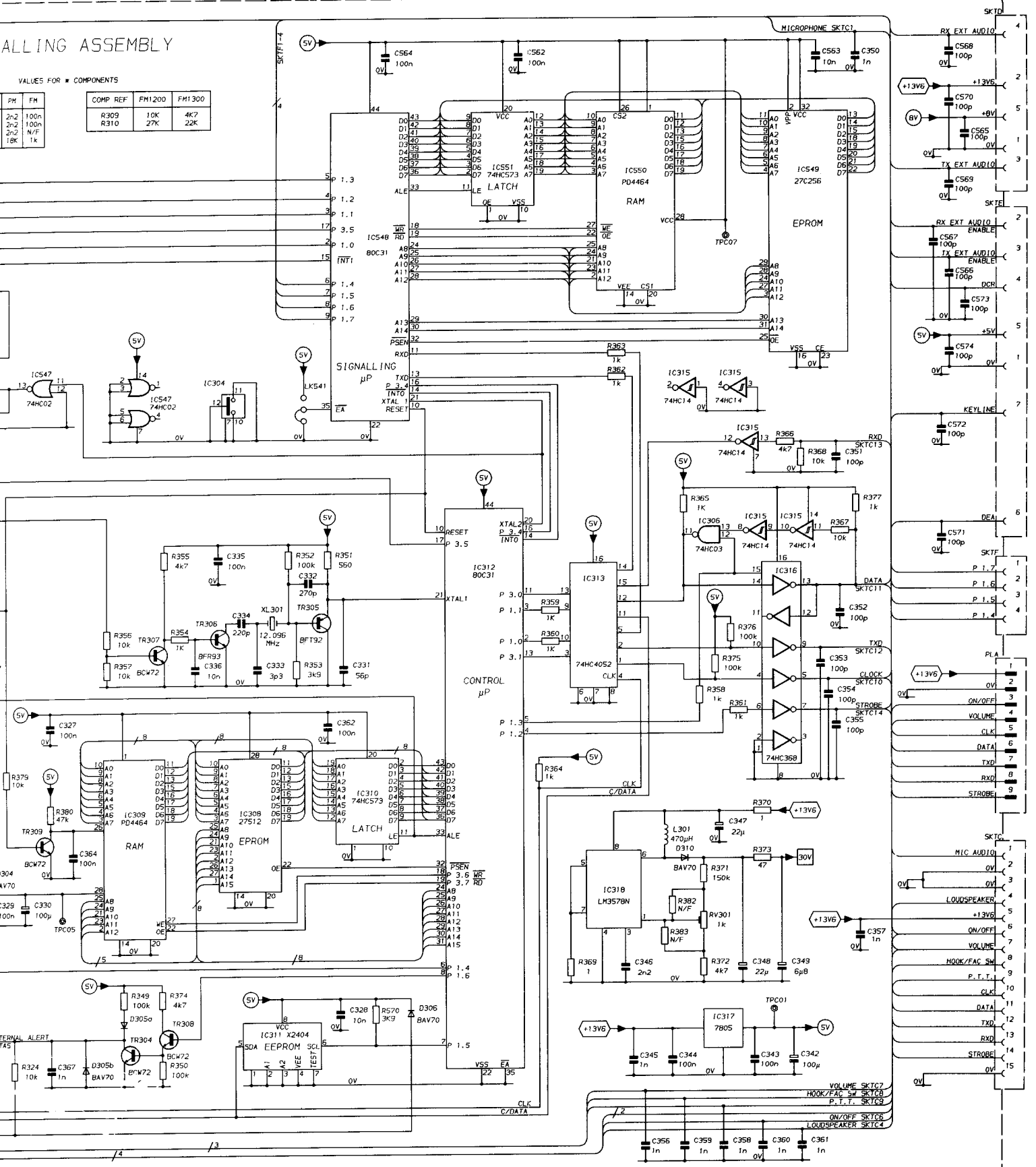
COMP REF	FM1200	FM1300
R309	10K	4K7
R310	27K	22K



# ALLING ASSEMBLY

VALUES FOR \* COMPONENTS

PM	FM	COMP	REF	FM1200	FM1300
2n2	100n	R309		10K	4K7
2n2	100n	R310		27K	22K
2n2	N/F				
18K	1k				



**FIG 6.2 CONTROL/DIGITAL SIGNALLING PCB CIRCUIT DIAGRAM**